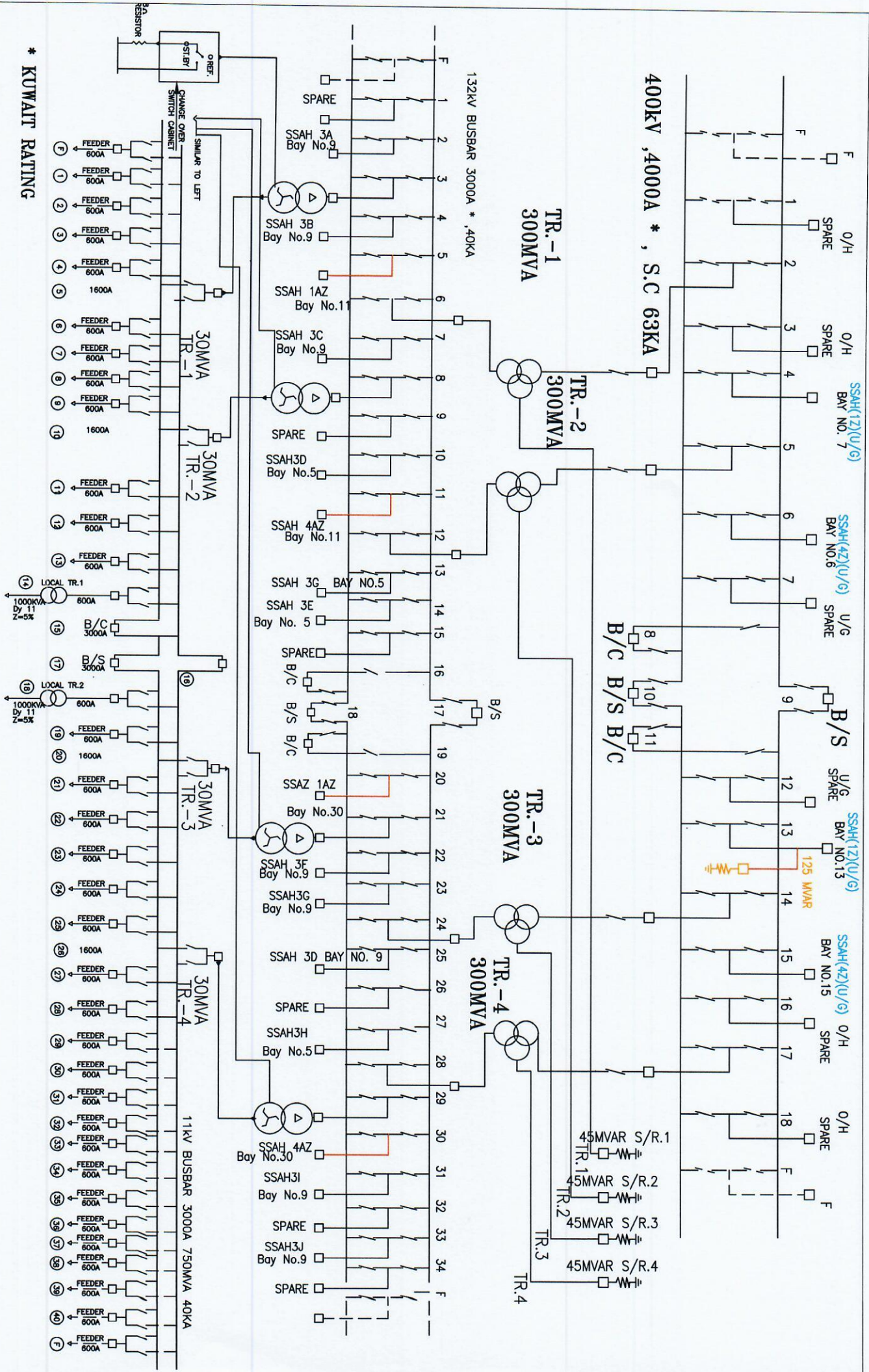


\* KUWAIT RATING



Rev. No.	Rev. Description	Date	By
1	Issue	20/10/2021	S
2	Change	20/10/2021	S
3	Approval		S